

**HYUNDAI**  
POWER PRODUCTS

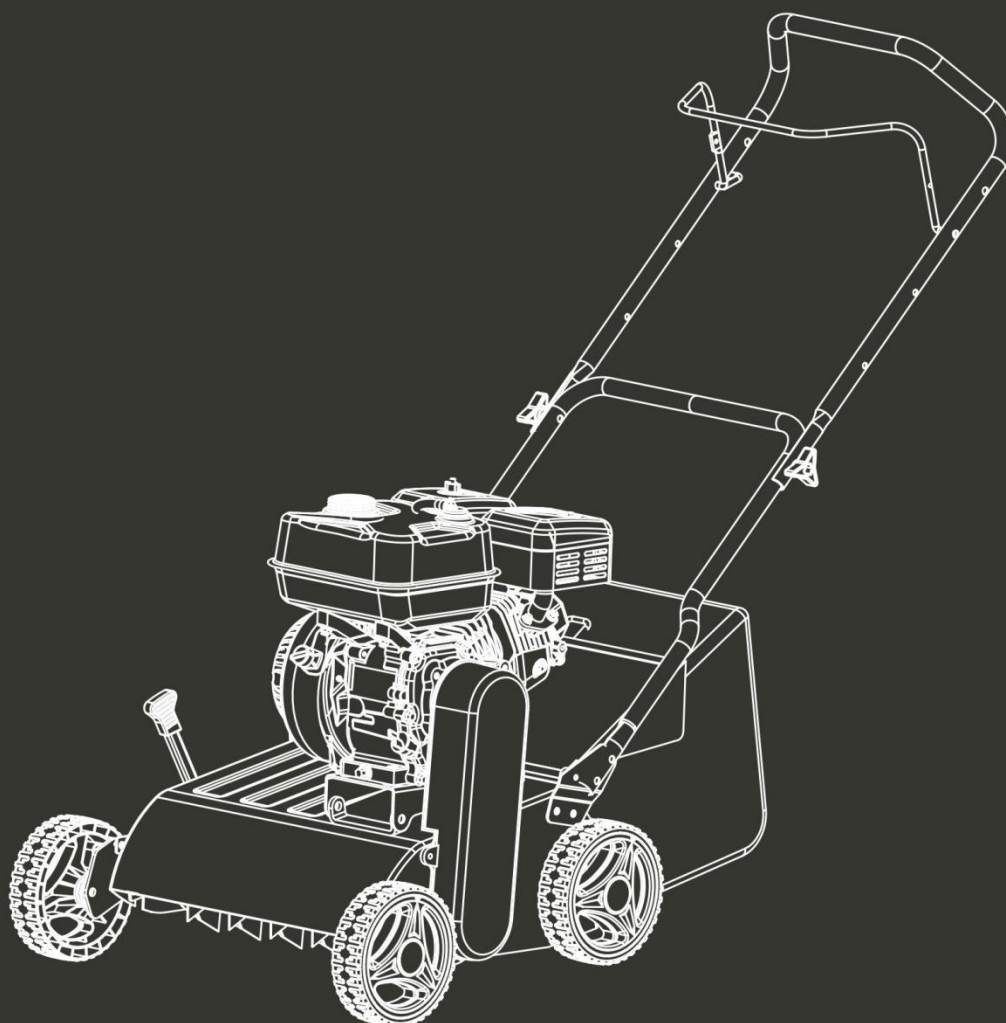
# PETROL SCARIFIER

## HST4020



GENUINE PRODUCT OF  
HYUNDAI CORPORATION

### ORIGINAL INSTRUCTIONS

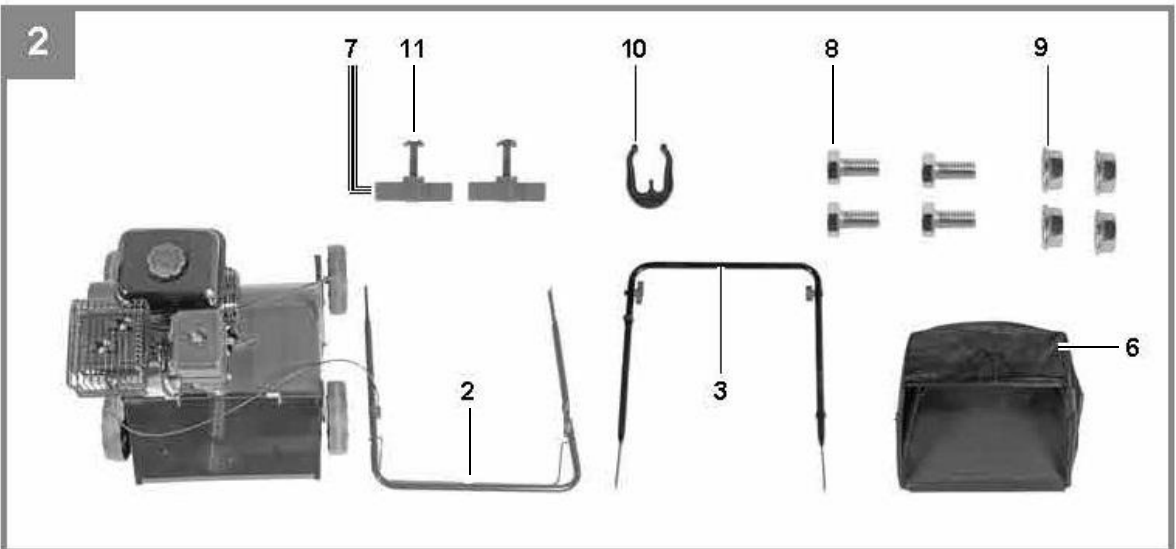
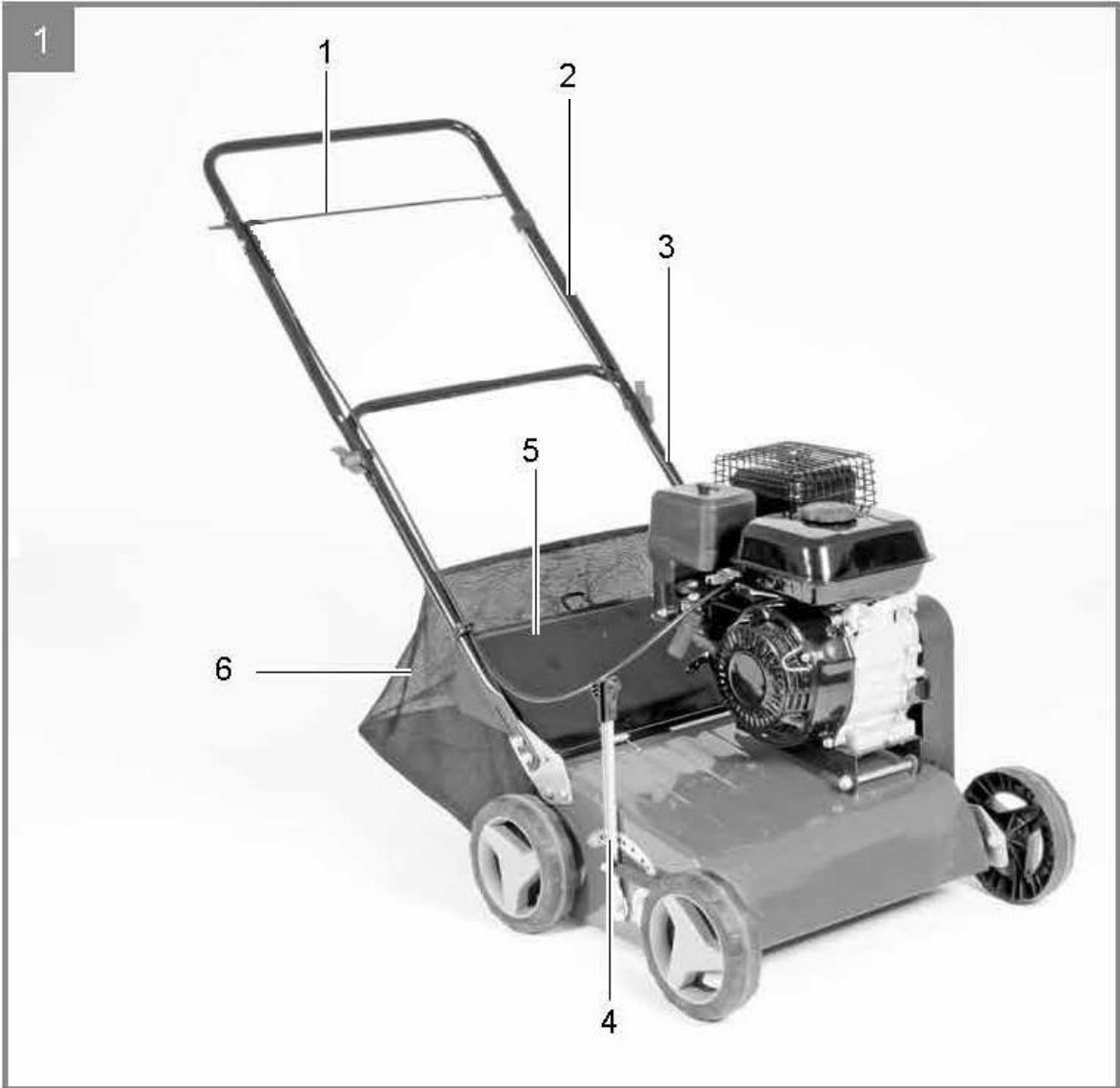


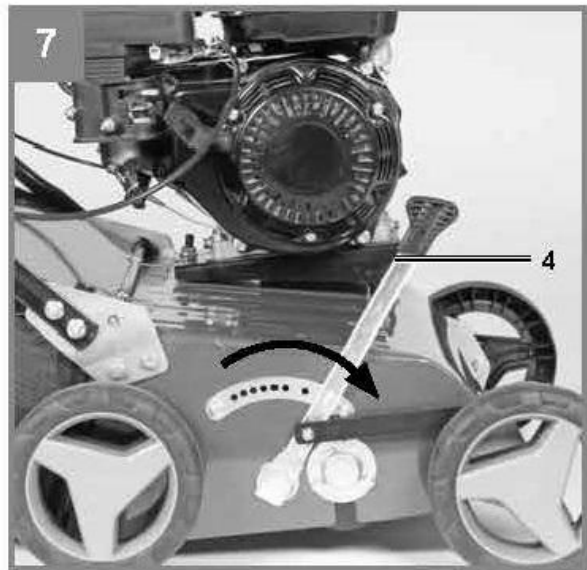
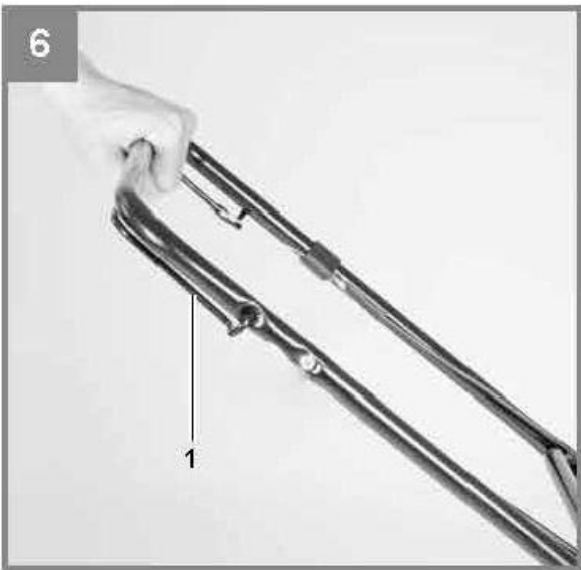
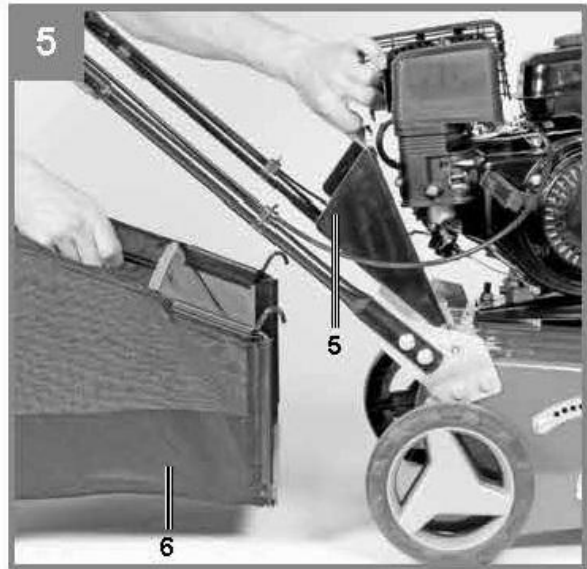
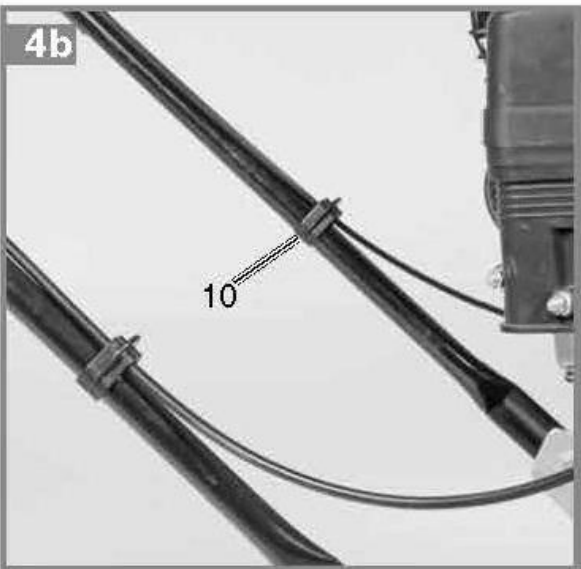
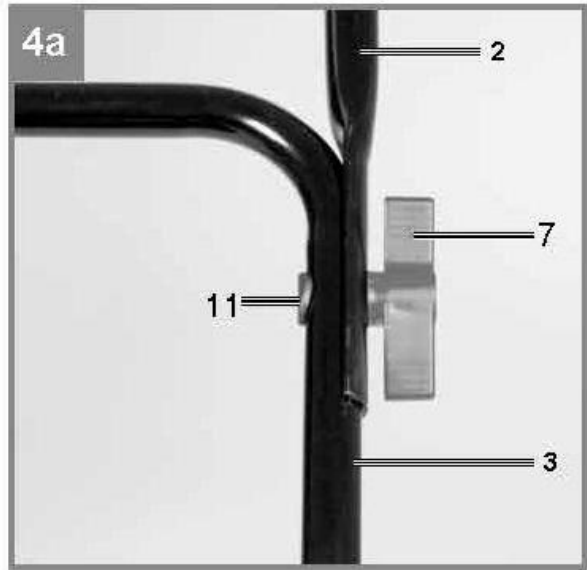
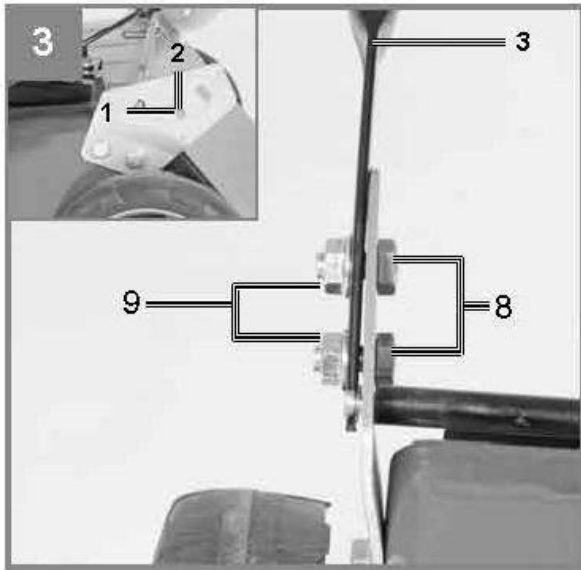
WARNING: Read thoroughly the instruction manual before use

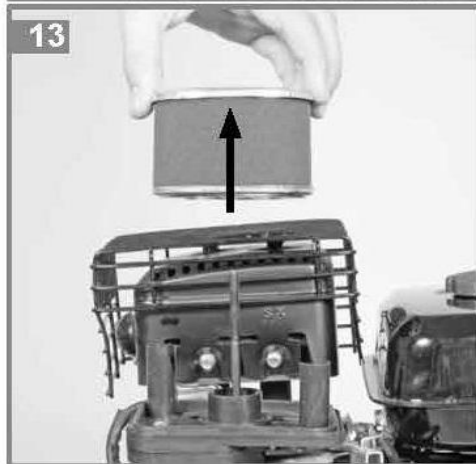
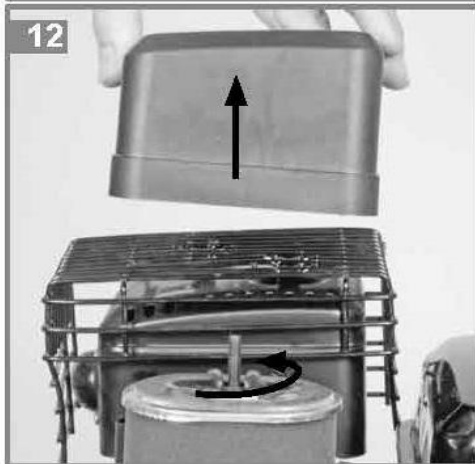
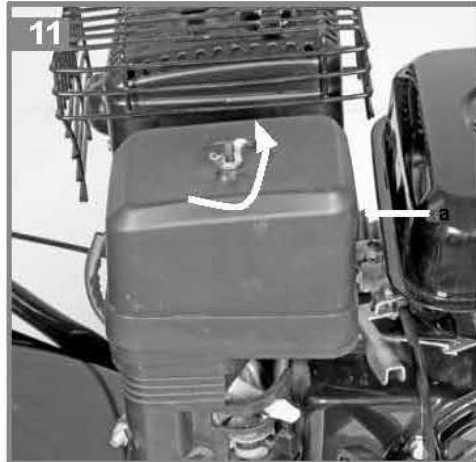
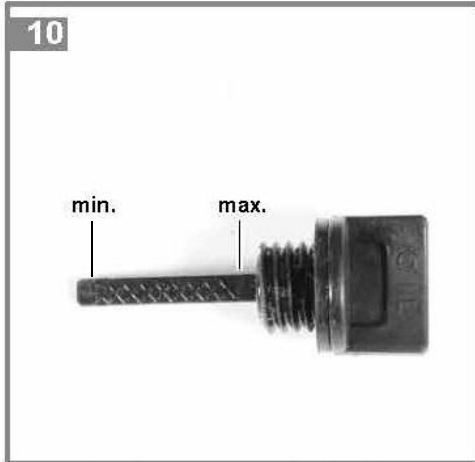
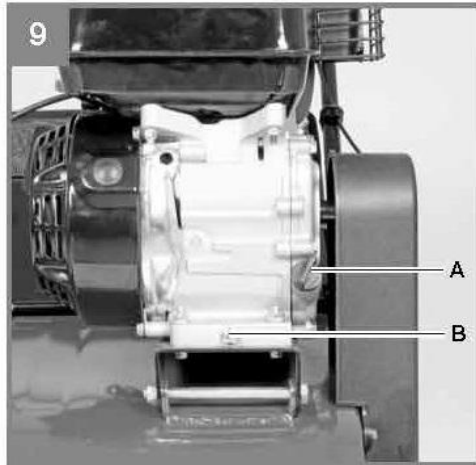
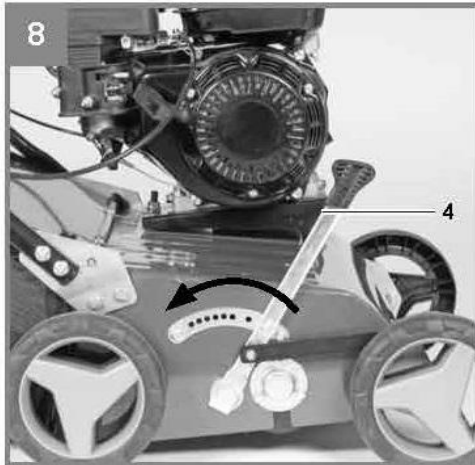
## CONTENTS

---

<b>1. SAFETY INSTRUCTIONS</b>	<b>6</b>
<b>2. DESCRIPTION</b>	<b>11</b>
<b>3. OPERATION</b>	<b>13</b>
<b>4. MAINTENANCE AND STORAGE</b>	<b>15</b>
<b>5. TROUBLESHOOTING GUIDE</b>	<b>17</b>
<b>6. DECLARATION OF CONFORMITY</b>	<b>18</b>
<b>7. WARRANTY</b>	<b>19</b>
<b>8. PRODUCT FAILURE</b>	<b>20</b>
<b>9. WARRANTY EXCLUSIONS</b>	<b>21</b>







# 1. SAFETY INSTRUCTIONS

---

## IMPORTANT

READ CAREFULLY BEFORE USE

KEEP FOR FUTURE REFERENCE

### Safe operation practices.

#### Training

a) Read the instructions carefully. Be familiar with the controls and the proper use of the machine.

#### Preparation

a) Never allow people unfamiliar with these instructions or children to use the machine. Local regulations can restrict the age of the operator;

b) Never operate the machine while people, especially children, or pets are nearby;

c) Keep in mind that the operator or user is responsible for accidents or hazards occurring to other people or their property;

d) Wear ear protection and safety glasses at all times while operating the machine;

e) While operating the machine. Always wear substantial footwear and long trousers. Do not operate the machine when barefoot or wearing open sandals;

f) Thoroughly inspect the area where the machine is to be used and remove all stones, sticks, wires, bones and other foreign objects;

g) WARNING — Petrol is highly flammable;

h) Store fuel in containers specifically designed for this purpose;

i) refuel outdoors only and do not smoke while refuelling;

j) Add fuel before starting the engine. Never remove the cap of the fuel tank or add petrol while the engine is running or when the engine is hot;

k) If petrol is spilled, do not attempt to start the engine but move the machine away from the area of spillage and avoid creating any source of ignition until petrol vapours have dissipated;

l) Replace all fuel tanks and container caps securely;

m) Replace faulty silencers;

n) Before using, always visually inspect to see that the tines, bolts are not worn or damaged.

Replace worn or damaged tines and bolts in sets to preserve balance;

o) For rear discharge appliances with exposed rear rollers, when used without a catcher, full eye protection shall be worn.

## Operation

- a) Do not operate the engine in a confined space where dangerous carbon monoxide fumes can collect;
- b) Operate the machine only in daylight or in good artificial light;
- c) Avoid operating the machine in wet grass or take additional precautions to avoid slipping;
- d) Always be sure of your footing on slopes;
- e) Walk, never run;
- f) Always work across the face of slopes, never up and down;
- g) Exercise extreme caution when changing direction on slopes;
- h) Do not operate the machine on steep slopes;
- i) use extreme caution when reversing or pulling the machine towards you;
- j) Stop the tines if the machine has to be tilted for transportation. Do not operate the tines when crossing surfaces other than grass, and when transporting the machine to and from the working area;
- k) Never operate the machine with defective guards, or without safety devices, for example deflectors and/or catchers, in place;
- l) Do not change the engine governor settings or over-speed the engine;
- m) Disengage all tine and drive clutches before starting the engine;
- n) Start the engine or switch on the motor carefully according to instructions and with feet well away from the tine(s);
- o) Do not tilt the machine when starting the engine or switching on the motor, except if the machine has to be tilted for starting. In this case, do not tilt it more than absolutely necessary and lift only the part which is away from the operator;
- p) Do not start the engine when standing in front of the discharge chute;
- q) Do not put hands or feet near or under rotating parts. Keep clear of the discharge opening at all times;
- r) Never pick up or carry a machine while the engine is running;
- s) Stop the engine, disconnect the spark plug wire and for battery start machines remove the ignition key:
  - before clearing blockages or unclogging chute;
  - before checking, cleaning or working on the machine;
  - After striking a foreign object. Inspect the machine for damage and make repairs before restarting and operating the machine;
  - if the machine starts to vibrate abnormally (check immediately);
- t) Stop the engine, disconnect the spark plug wire and for battery start machines remove the ignition key;

- whenever you leave the machine;
  - before refuelling;
- u) Reduce the throttle setting during engine shut down and, if the engine is provided with a shut-off valve, turn the fuel off at the conclusion of aerating or scarifying.
- v) Danger – Do not touch the rotating tines

### **Maintenance and storage**

- a) Keep all nuts, bolts and screws tight to be sure the machine is in a safe working condition;
- b) Never store the machine with petrol in the tank inside a building where fumes can reach an open flame or spark;
- c) Allow the engine to cool before storing in any enclosure;
- d) to reduce the fire hazard, keep the engine, silencer, battery compartment and petrol storage area free of grass, thatch, moss, leaves or excessive grease;
- e) Check the catcher frequently for wear or deterioration;
- f) Examine the machine regularly and replace worn or damaged parts for safety;
- g) If the fuel tank has to be drained, this should be done outdoors. The drained fuel should be stored in a container specifically designed for fuel storage or it should be disposed of carefully.

### **Fuel Handling**

Use caution when handling fuels. They are flammable and the vapors are explosive.

Use only an approved container.

Never remove the fuel cap or add fuel while the machine is on. Turn off the unit and allow the engine and exhaust components to cool down before refueling.

Do not smoke.

Never refuel inside a room.

Never store the tool and the fuel tank indoors where there is a naked flame, such as near a water heater.

If fuel has spilled, do not attempt to start the machine, but move it away from the spill before starting to use it. Please clean up any spills.

Replace and tighten the fuel tank cap after refueling.

Follow strictly the instructions in this manual for filling the tool with fuel.

### **During maintenance and storage**

Switch off the tool and wait until it stops completely. Make sure that all moving parts are stopped.

Allow the machine to cool before performing inspection, adjustments, maintenance, servicing and storage.

Store the tool where fuel vapor will not reach a flame or spark.

The transport of the tool must be secured in order to avoid fuel spillage, accidents and injuries.



## **Residual risks**

Even if you use this product in compliance with all safety requirements, the potential risks of injury and damage remain. The following hazards may arise in the structure and design of this product:

There are risks of injury and property damage due to attachments or broken the sudden impact of hidden objects when using cutting.

There are risks of injuries and accidents caused by flying objects.

Prolonged use of this product exposes the operator to vibrations and can produce so-called "white finger" disease. To reduce the risk, wear gloves and keep your hands warm.

If any of the symptoms of "white finger syndrome" occur, seek immediate medical attention.

Symptoms of "white finger" include numbness, loss of sensitivity, tingling, pain, loss of strength, color changes or skin condition. These symptoms usually appear on the fingers, hands or wrists. Risk increases at low temperatures.

A long exposition to noise can affect the health of the operator. A hearing protection must be always used when operating the tool. The operation of the tool must be limited and some rest must be taken between two sessions (e.g. 10min of operation and 20min of rest).

## **Intended use**

The equipment is designed for scarifying lawn areas. The scarifying process is designed for rip- ping moss and weeds - complete with their roots. Out of the soil and for loosening the soil. As a result your lawn can absorb nutrients better and is cleaned. We recommend you to scarify you lawn in the spring (April) and autumn (October).

Important!

Due to the high risk of bodily injury to the user, the equipment may not be used to grind up branch or hedge clippings. Moreover, the equipment may not be used as a power cultivator to level out high areas such as mole hills. For safety reasons, the equipment may not be used as a drive unit for other work tools or tool sets of any kind.

The equipment is to be used only for its prescribed purpose. Any other use is deemed to be a case of misuse. The user / operator and not the manufacturer will be liable for any damage or injuries of any kind caused as a result of this.

Please note that our equipment has not been designed for use in commercial, trade or industrial applications. Our warranty will be voided if the machine is used in commercial, trade or industrial businesses or for equivalent purposes.

## Symbols



Read instruction manual



Warning! Risk of projections - Keep bystanders away



Sharp teeth - Be careful not to cut your fingers or toes. Remove the spark plug wire before maintenance



Wear ocular protection



Wear hearing protection



Danger of carbon monoxide! Do not inhale



WARNING! Hot surface



Do not touch

## **2. DESCRIPTION**

---

### **a. Layout (Fig. 1/2)**

1. Engine start/stop lever – engine brake
2. Top push bar
3. Bottom push bar
4. Scarifying depth
5. Ejector flap
6. Grass basket
7. 2 fastening nuts for top push bar
8. 4 fastening screws for bottom push bar
9. 4 fastening nuts for bottom push bar
10. 2 cable securing clips
11. 2 fastening screws for top push bar

### **b. Items supplied**

Please check that the article is complete as specified in the scope of delivery. If parts are missing, please contact our service center or the sales outlet where you made your purchase at the latest within 5 working days after purchasing the product and upon presentation of a valid bill of purchase. Also, refer to the warranty table in the service information at the end of the operating instructions.

Open the packaging and take out the equipment with care.

Remove the packaging material and any packaging and/or transportation braces (if available).

Check to see if all items are supplied.

Inspect the equipment and accessories for transport damage.

If possible, please keep the packaging until the end of the guarantee period. Danger!

The equipment and packaging material are not toys. Do not let children play with plastic bags, foils or small parts. There is a danger of swallowing or suffocating!

Hydraulic fluid escaping under pressure can have sufficient force to penetrate the skin and do serious damage. Immediate medical assistance be sought in case of contact with hydraulic fluid.

**c. Technical data**

Engine type	1 cylinder, 4-stroke	Engine oil(L)	0.6
Displacement(cm <sup>3</sup> )	212	Blades(number)	18
Engine Power(kW)	4.3	Blade diameter(mm)	166
Engine rated speed(rpm/min)	3600	Depth setting(mm)	-15 - +5
Working speed(rpm/min)	2800	Working width(mm)	400
Fuel type	Unleaded petrol	Tank capacity(L)	3.6
Sound pressure level dB(A)	79.38	Weight(kg)	34±5
Sound power level dB(A)	91.76	Vibration m/s <sup>2</sup>	20.01
Guarantee sound power level dB(A)	98	Volume of the collection bag	35L

### 3. OPERATION

---

#### a. Before starting the equipment

The equipment is delivered unassembled. The grass basket and the complete push bar must be assembled and mounted before using the equipment. Follow the operating instructions step- by-step and use the pictures provided as a visual guide to easily assemble the equipment.

Fitting the top push bar holder (Fig. 4a)

Position the upper push bar (Fig. 4a / Item 2) such that its holes line up with the holes of the lower bar. Screw the tubes together, using the screws (Fig. 4a / Item 12) and nuts (Fig. 4a / Item 8) supplied. Use the supplied cable clips (Fig. 4b / Item 11) to secure the throttle cable and the engine Start / Stop cable to the lower push bar.

Fitting the debris box (Fig. 5).

Lift the ejector flap (Fig. 5 / Item 5) with one hand and attach the debris box (Fig. 5/Item 6) to the handle from above using your other hand.

Important: Before you attach the debris box you must ensure that the engine is switched off and the roller is not rotating.

The engine does not come with oil in it. Therefore, be sure to add oil before starting the engine. The oil level in the engine must be checked each time before carrying out any work. Important!

When the engine brake lever is released it must return to its initial position and the engine must stop. If this is not the case, do not use the equipment again.

#### b. Starting the equipment (Fig. 6 – 7)

In order to avoid any unintentional start-ups of the engine, it comes equipped with an engine brake (Fig. 6/Item 1) which must be pressed at all times whilst the device is in use, otherwise the engine will stop.

Open the petrol cock (Fig. 7 / Item B). Set the cock to “ON” for this purpose. Set the choke lever (Fig. 7/Item C) to the “Choke” position.

Note: Normally the choke is not required to restart a warm engine. Move the throttle lever (Fig. 1 / Item 7) to the center position.

Press the engine brake lever (Fig. 6 ) and pull the starter cable (Fig. 7 / Item A) forcefully until the engine starts.

Allow the engine to warm up briefly and then set the choke lever (Fig. 7 / Item B) to the “RUN” Position.

The speed of the cutter unit can be controlled using the throttle lever (Fig. 6 / Item 7) (tortoise = slow / rabbit = fast).

**Important! Always pull the starter cable slowly until you feel the initial resistance before you then pull it quickly to start the engine. Do not allow the starter cable to whip back of its own accord.**

**Important! The scarifier roller begins to rotate as soon as the engine is started.**

Never open the ejector flap when the motor is running. A rotating cutting unit can cause injuries.

Always fasten the ejector flap carefully. The flap flips back to the “Closed” position by the tension springs!

Always ensure that a safe distance (provided by the long handles) is maintained between the user and the housing. Be especially careful when scarifying and changing direction on slopes and inclines. Maintain a solid footing and wear sturdy, non-slip footwear and long trousers. Always scarify along the incline (not up and down).

For safety reasons, the scarifier may not be used to scarify inclines whose gradient exceeds 15 degrees.

Use special caution when backing up and pulling the scarifier (tripping hazard)!

**c. Adjusting the working depth (Fig. 8)**

To set the working depth, push the lever for setting the depth (Fig. 8 / Item 4) gently away from the device, set the required depth and then lock the lever back into position.

**d. Stopping**

When the work is finished, release the rotor engagement lever.

Important!

For transport move the lever for setting the depth to the highest position. Tips for proper working

It is recommended that you overlap scarifying paths a little. Try to scarify in straight lines for a nice, clean look. In doing, the aeration swaths should always overlap each other by a few centimeters in order to avoid bare strips.

As soon as grass clippings start to trail the scarifiers, it is time to empty the grass basket.

Important!

Before taking off the grass basket, switch off the motor and wait until the roller has come to a stop.

To remove the grass basket, lift up the ejector flap with one hand, while unhooking the basket with the other.

How frequently you should scarify your lawn is determined primarily by the speed at which the grass grows and the hardness of the soil.

Keep the underside of the equipment clean and remove soil and grass build-up. Deposits make it more difficult to start the aerator and decrease the quality of the scarifying.

Always scarify along inclines (not up and down). Switch off the motor before doing any checks on the roller.

Important!

The roller rotates for a few seconds after the motor is switched off. Never attempt to stop the roller. In the event that the rotating roller strikes an object, immediately switch off the equipment and wait for the roller to come to a complete stop. Then inspect the condition of the roller. Replace any parts that are damaged.

## 4. MAINTENANCE AND STORAGE

---

### **Important!**

Never work on or touch conducting parts on the ignition unit with the engine running. Always pull the spark plug boot from the spark plug before starting any work of care or maintenance. Never perform any work on the machine while it is running. Any work not described in these Operating Instructions must be performed by an authorized service workshop only.

### **a. Cleaning**

The scarifier should be cleaned thoroughly every time after it has been used. This particularly applies to its underside and the blades. To do so, tip the scarifier slightly on to its side and remove the dirt.

Important: Before you tip the equipment, the petrol tank must be emptied to prevent petrol leaking out. Ideally you should use a conventional petrol extraction pump for this purpose.

### **b. Servicing**

#### Checking the oil level

- Set the equipment down on a flat, level surface.
- Unscrew the oil dipstick by turning it anticlockwise. The oil level must be as shown in Figure 10.

Important! Never run the engine with no or too little oil. This can cause serious damage to the engine.

### **c. Changing the oil**

- Change the engine oil every year before the start of the season (in addition to the information in the petrol service manual) when the engine is warm.
- Use only recommended engine oil.
- Place a suitable oil drip tray beneath the oil drain screw.
- Remove the oil filler screw (Fig. 9 / Item A).
- Undo the oil drain screw (Fig. 9 / Item B) and drain the oil into a suitable container.
- Close the drain screw again when all the used oil has been drained.
- Pour engine oil into the equipment as shown in Figure 10.
- Dispose of the used oil in accordance with applicable regulations.

### **d. Care and adjustment of the cables**

- Oil the cables at regular intervals and check that they move easily.

### **e. Servicing the air filter**

- Soiled air filters reduce the engine output by supplying too little air to the carburetor. Regular checks are therefore essential. The air filter should be checked after every 50 hours of use and cleaned if necessary. If the air contains a lot of dust, the air filter should be checked more frequently.
- Remove the air filter as shown in Fig. 11-13.

- Clean the air filter only with compressed air or by tapping it.
- Assemble in reverse order

**Important!**

**Never clean the air filter with petrol or inflammable solvents.**

**f. Servicing/Replacing the spark plug**

- Check the spark plug for dirt and grime after 10 hours of operation and if necessary clean it with a copper wire brush. Thereafter service the spark plug after every 50 hours of operation.
- Pull off the spark plug boot (Fig. 14) with a twist.
- Remove the spark plug using a spark plug wrench (Fig. 15).
- Assemble in reverse order.

**g. Tines Removal and Installation**

Worn tine invites poor performance and overload of motor.

Check before each use the tines situation. Sharpen or replace the tines with new one when necessary. It is recommended to do this by a specialist.

Caution! Wear protective gloves.

**To remove the complete tines from the shaft:**

- Remove the screws on each side of the tool.
- Remove the lock pin.
- Take out tine set from the shaft.

**Installation of the tines set**

- Place the tines set on the shaft.
- Place then the lock pin.
- Screw the tines set with the screws on each side of the tool.

**NOTE: When one or two pieces of tine are broken, stop to use the tine set. All the complete tine set shall be changed.**

**h. Storage**

**Caution! Do not empty the petrol tank in enclosed areas, near fire or when smoking. Petrol fumes can cause explosions and fire.**

- Empty the petrol tank with a petrol suction pump.
- Start the engine and let it run until any remaining petrol has been used up.
- Change the oil at the end of every season. To do so, remove the used engine oil from a warm engine and refill with fresh oil.
- Remove the spark plug from the cylinder head. Fill the cylinder with approx. 20 ml of oil from an oil can.



Slowly pull back the starter handle, which will bathe the cylinder wall with oil. Screw the spark plug back in.

- Clean the cooling fins of the cylinder and the housing.
- Be sure to clean the entire machine to protect the paint.
- Store the machine in a well-ventilated place.

**i. Ordering replacement parts**

Please quote the following data when ordering replacement parts:

- Type of machine
- Article number of the machine
- Identification number of the machine
- Replacement part number of the part required For our latest prices and information contact us.

The unit is supplied in packaging to prevent its being damaged in transit. This packaging is raw material and can therefore be reused or can be returned to the raw material system. The unit and its accessories are made of various types of material, such as metal and plastic. Defective components must be disposed of as special waste. Ask your dealer or your local council.

**5. Troubleshooting guide**

---

Fault	Possible causes	Remedy
The motor does not start	Engine brake lever not pressed Spark plug defective	Press the engine brake lever Replace spark plug Top up fuel
Engine does not run smoothly	Air filter dirty Spark plug worn Choke open	Clean the air filter Clean/Replace the spark plug Set choke lever to "Run" position
The equipment does not operate smoothly and	- Blades imbalanced	- Have the blades replaced by a customer service workshop.
Motor is running, roller	- V-belt torn	- Have the V-belt replaced by a customer service workshop.

## 6. EC DECLARATION OF CONFORMITY

---

EC DECLARATION OF CONFORMITY



BUILDER SAS  
ZI, 32 rue Aristide Bergès – 31270 Cugnaux - France

For the following machinery: Product name: Petrol Scarifier

Type: Petrol Scarifier

Model: HST4020

S/N: 20230450264-20230450434

Is herewith confirmed to fulfill all the relevant provisions of Machinery Directive (2006/42/EC) and the following harmonized standard have been complied with **EN 13684:2018**

Is herewith confirmed to fulfill all the relevant provisions of Electromagnetic Compatibility Directive (2014/30/EU) and the following harmonized standard have been complied with EN ISO 14982: 2009

Is herewith confirmed to fulfill all the relevant provisions of Noise Emission Directive by equipment for use outdoors (2000/14/EC + 2005/88/EC) Conformity Assessment Procedure: 2000/14/EC, amended by 2005/88/EC- Annex VI

Measured sound power level: 91.76 dB(A)

Guarantee sound power level: 98dB(A)

Directive Emission (EU) 2016/1628 et 2017/656/EU

Responsible of technical file: M. Olivier Patriarca

Cugnaux, 21/03/2023

Philippe MARIE/PDG

A handwritten signature in black ink, appearing to be 'Philippe Marie', written over a faint circular stamp or watermark.

## 7. WARRANTY

# HYUNDAI

## WARRANTY

The manufacturer guarantees the product against defects in material and workmanship for a period of 2 years from the date of the original purchase. The warranty only applies if the product is for household use. The warranty does not cover breakdowns due to normal wear and tear.

The manufacturer agrees to replace parts identified as defective by the designated distributor. The manufacturer does not accept responsibility for the replacement of the machine, in whole or in part, and/or ensuing damage.

### The warranty does not cover breakdowns due to:

- insufficient maintenance.
- abnormal assembly, adjustment or operations of the product.
- parts subject to normal wear and tear.

### The warranty does not extend to:

- shipping and packaging costs.
- using the tool for a purpose other than that for which it was designed.
- the use and maintenance of the machine done in a manner not described in the user manual.

Due to our policy of continuous product improvement, we reserve the right to alter or change specifications without notice. Consequently, the product may be different from the information contained therein, but a modification will be undertaken without notice if it is recognized as an improvement of the preceding characteristic.

### READ THE MANUAL CAREFULLY BEFORE USING THE MACHINE.

When ordering spare parts, please indicate the part number or code, you can find this in the spare parts list in this manual. Keep the purchase receipt; without it, the warranty is invalid. To help you with your product, we invite you to contact us by phone or via our website:

- **+33 (0)9.70.75.30.30**
- **<https://services.swap-europe.com/contact>**

You must create a "ticket" via the web platform.

- Register or create your account.
- Indicate the reference of the tool.
- Choose the subject of your request.
- Describe your problem.
- Attach these files: invoice or sales receipt, photo of the identification plate (serial number), photo of the part you need (for example: pins on the transformer plug which are broken).



## 8. PRODUCT FAILURE

### WHAT TO DO IF MY MACHINE BREAKS DOWN?

#### **If you bought your product in a store:**

- a) Empty the fuel tank if your product has one.
- b) Make sure that your machine is complete with all accessories supplied, and clean! If this is not the case, the repairer will refuse the machine.

Go to the store with the complete machine and with the receipt or invoice.

#### **If you bought your product on a website:**

- a) Empty the fuel tank if your product has one..
- b) Make sure that your machine is complete with all accessories supplied, and clean! If this is not the case, the repairer will refuse the machine.
- c) Create a SWAP-Europe service ticket on the site: <https://services.swap-europe.com> When making the request on SWAP-Europe, you must attach the invoice and the photo of the nameplate (serial number).
- d) Contact the repair station to make sure it is available before dropping off the machine.

Go to the repair station with the complete machine packed, accompanied by the purchase invoice and the station support sheet downloadable after the service request is completed on the SWAP-Europe site

For machines with engine failure from manufacturers BRIGGS & STRATTON, HONDA and RATO, please refer to the following instructions.

Repairs will be done by approved engine manufacturers of these manufacturers, see their site:

- <http://www.briggsandstratton.com/eu/fr>
- <http://www.honda-engines-eu.com/fr/service-network-page;jsessionid=5EE8456CF39CD572AA2AEEDFD290CDAE>
- <https://www.rato-europe.com/it/service-network>

**Please keep your original packaging to allow for after-sales service returns or pack your machine with a similar cardboard box of the same dimensions.**

**For any question concerning our after-sales service you can make a request on our website <https://services.swap-europe.com>**

**Our hotline remains available at +33 (9) 70 75 30 30.**



# 9. WARRANTY EXCLUSIONS

## THE WARRANTY DOES NOT COVER:

- Start-up and setting up of the product.
- Damage resulting from normal wear and tear of the product.
- Damage resulting from improper use of the product.
- Damage resulting from assembly or start-up not in accordance with the user manual.
- Breakdowns related to carburetion beyond 90 days and fouling of carburetors.
- Periodic and standard maintenance events.
- Actions of modification and dismantling that directly void the warranty.
- Products whose original authentication marking (brand, serial number) has been degraded, altered or withdrawn.
- Replacement of consumables.
- The use of non-original parts.
- Breakage of parts following impacts or projections.
- Accessories breakdowns.
- Defects and their consequences linked to any external cause.
- Loss of components and loss due to insufficient screwing.
- Cutting components and any damage related to the loosening of parts.
- Overload or overheating.
- Poor power supply quality: faulty voltage, voltage error, etc.
- Damages resulting from the deprivation of enjoyment of the product during the time necessary for repairs and more generally the costs related to the immobilization of the product.
- The costs of a second opinion established by a third party following an estimate by a SWAP-Europe repair station
- The use of a product which would show a defect or a breakage which was not the subject of an immediate report and/or repair with the services of SWAP-Europe.
- Deterioration linked to transport and storage\*.
- Launchers beyond 90 days.
- Oil, petrol, grease.
- Damages related to the use of non-compliant fuels or lubricants.

\* In accordance with transport legislation, damage related to transport must be declared to carriers within 48 hours maximum after observation by registered letter with acknowledgement of receipt.

This document is a supplement to your notice, a non-exhaustive list.

**Attention:** all orders must be checked in the presence of the delivery person. In case of refusal by the delivery person, it you must simply refuse the delivery and notify your refusal.

**Reminder:** the reserves do not exclude the notification by registered letter with acknowledgement within 72 hours.

### Information:

Thermal devices must be wintered each season (service available on the SWAP-Europe site). Batteries must be charged before being stored.

# HYUNDAI

POWER PRODUCTS



GENUINE PRODUCT OF  
HYUNDAI CORPORATION

**For inquiries, please contact:**

BUILDER SAS

32 rue Aristide Bergès - Z.I. du Casque - 31270 Cugnaux - France

Tél.: +33(0)5.34.502.502 Fax.: +33(0)5.34.502.503

<http://www.hyundaipower-fr.com/>

Fabriqué en République Populaire de Chine(PRC)